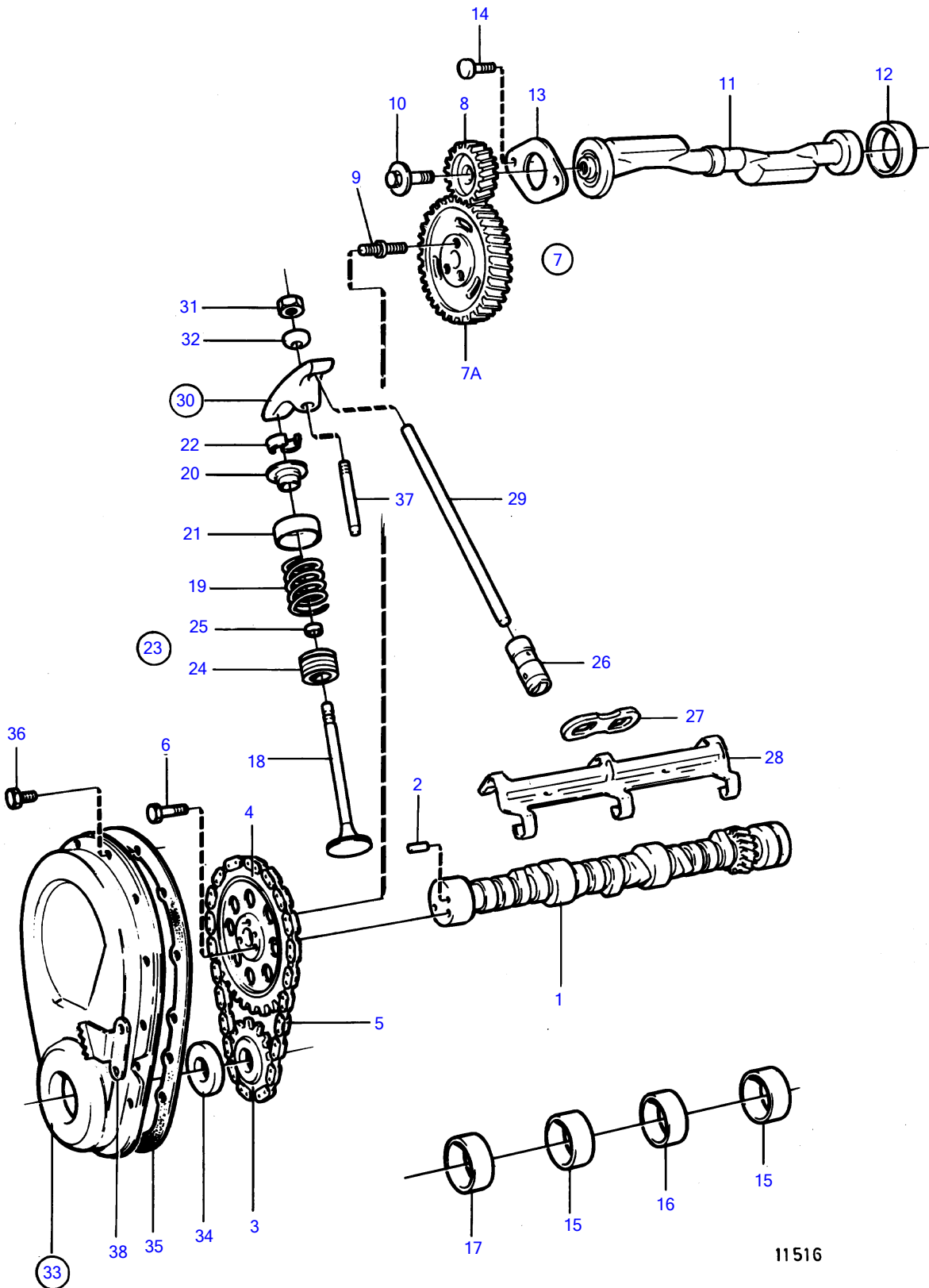


432A, 434A



11516

432A, 434A

| REF | PART NO. | QTY | DESCRIPTION | SEE SEC. | NOTES |
|-----|----------|-----|---------------------|----------|---|
| 1 | 857576 | 1 | Camshaft | | Included in basic engine, See group 10A |
| 2 | 835040 | 1 | • Locating pin | | |
| 3 | 856069 | 1 | Sprocket | | |
| 4 | 857578 | 1 | Sprocket | | |
| 5 | 856070 | 1 | Camshaft chain | | |
| 6 | 940135 | 3 | Hexagon screw | | |
| 7 | 857585 | 1 | Gear | | |
| 7A | | 1 | • gear | | |
| 8 | | 1 | • gear | | |
| 9 | 857588 | 1 | Stud | | |
| 10 | (857586) | 1 | Screw | | Obsolete part |
| 11 | 857581 | 1 | Shaft | | |
| 12 | 857582 | 1 | Bushing | | |
| 13 | 857583 | 1 | Retainer | | |
| 14 | 856409 | 2 | Screw | | |
| 15 | 841423 | 2 | Bushing | | |
| 16 | 841424 | 1 | Bushing | | |
| 17 | 841422 | 1 | Bearing | | |
| 18 | 856368 | 6 | Exhaust valve | | Std |
| | 856370 | 6 | Exhaust valve | | Over size 0,015" |
| | (841882) | 6 | Exhaust valve | | Over size 0,030", Obsolete part |
| | 841873 | 6 | Inlet valve | | Std |
| | 841874 | 6 | Inlet valve | | Over size 0,015" |
| | 841875 | 6 | Inlet valve | | Over size 0,030" |
| 19 | 835102 | 12 | Spring | | |
| 20 | 855825 | 6 | Valve spring washer | | For exhaust valve. |
| | 841782 | 6 | Valve spring washer | | |
| 21 | 841781 | 12 | Shield | | |
| 22 | 835401 | 24 | Valve collet | | |
| 23 | 855564 | 1 | Sealing kit | | |
| 24 | | 6 | • seal | | |
| 25 | | 12 | • oil seal | | |
| 26 | 857237 | 12 | Tappet | | |
| 27 | 857572 | 6 | Bracket | | |
| 28 | 857573 | 1 | Retainer | | |
| 29 | 856396 | 12 | Push rod | | |
| 30 | 856421 | 12 | Rocker arm | | |
| 31 | 857245 | 12 | • Nut | | |
| 32 | 841199 | 12 | • Ball | | |
| 33 | 857574 | 1 | Timing gear casing | | |
| 34 | 856665 | 1 | • Sealing ring | | |
| 35 | 857575 | 1 | Gasket | | |
| 36 | 943629 | 10 | Flange screw | | |
| 37 | 857244 | 12 | Stud | 12435 | |
| | 841779 | 2 | Stud | | Over size 0,013" |
| 38 | 841038 | 1 | Setting indicator | | |